

Raychem **FlexiClic-FP** is the brand new innovation in pipe frost protection heat-tracing. The modular self-regulating heating units provide ultra fast and ultra flexible design and installation of the heat-tracing system, reducing total installed costs significantly. The modules can be easily extended by connecting 2 or more together either in-line or as a Tee connection.

The modules click together and the electrical connection is made – speed and simplicity for the installer.

Raychem **FlexiClic-FP** comes with a complete range of accessories including power cables, end seals, and T-connectors for quick and easy assembly. The system is

also compatible with the Raychem range of standard and “Smart” control devices.

Raychem **FlexiClic-FP** provides high quality self-regulating, energy-efficient frost protection for the end user, whilst ensuring a fast, flexible and reliable installation every time.

Easy to install system

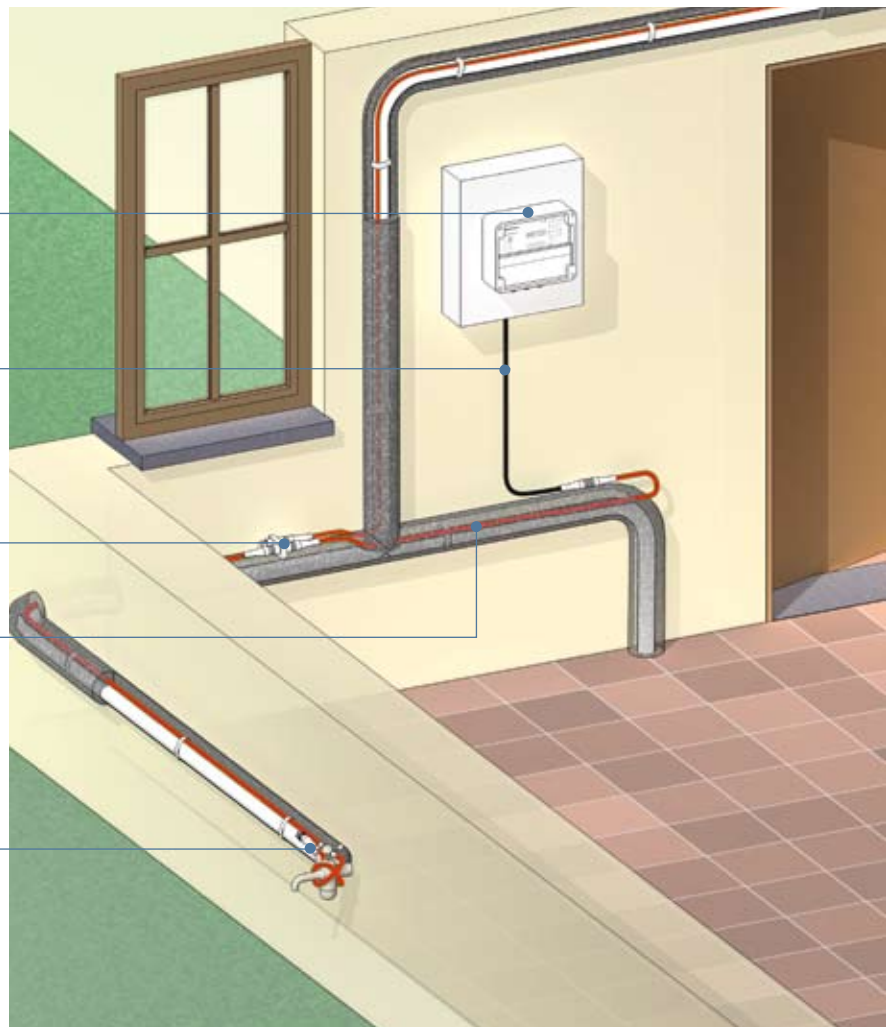
Control Unit (or panel)

Modular Power cable

Modular connection unit (1 input, 3 outputs)

Heating Module

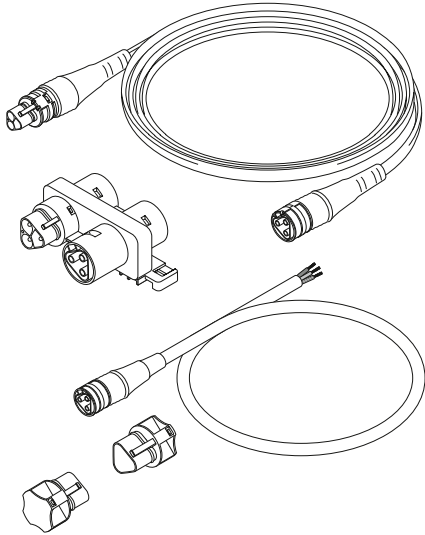
Modular end seal



Important Notice: All electrical systems should be installed and commissioned by a trained and approved electrician, and be in accordance with all local applicable electrical regulations.

Design Guide – FlexiClic-FP

1. Technical data



Nominal power	10 W/m @ 5 °C
Voltage	230 Vac
Maximum exposure temperature	65 °C
Cable dimensions	12.7 mm x 5.3 mm
Module dimensions	25 mm Diameter
Circuit breaker required	Type C
RCD	30 mA
Heater construction	Twin conductor self-regulating core, with full braid for electrical and mechanical protection and polymer outer jacket (PVC Free)
Certification	CE
Ingress protection rating	IP66/68 1m H ₂ O - 12 weeks
Maximum circuit length	100 Metres

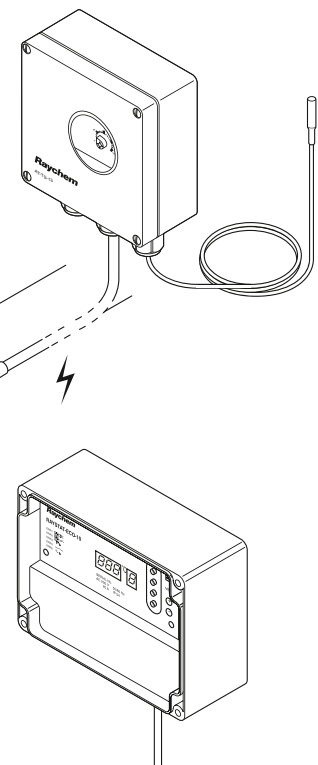
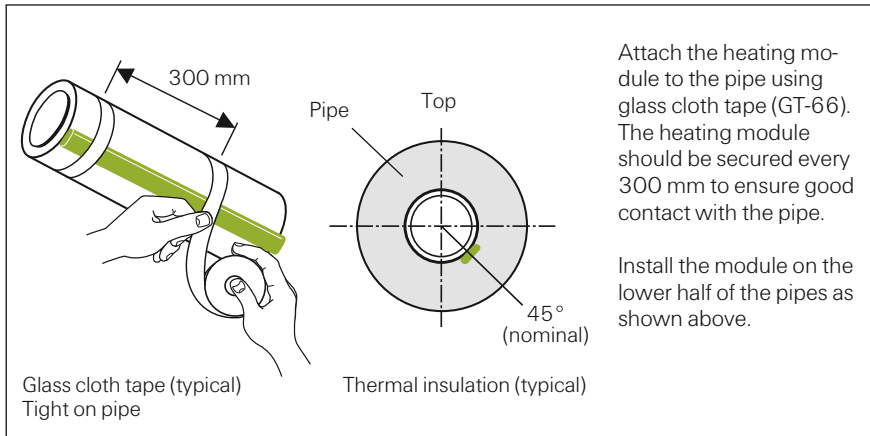
2. Insulation selection

Frost protection to -20°C

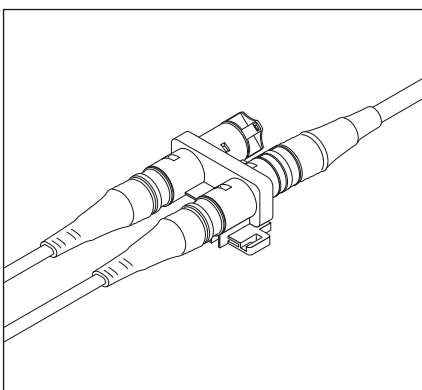
Insulation thicknesses	Pipe diameter									
	mm	15	22	28	35	42	54	67	76	108
	Inches	1/2"	3/4"	1"	5/4"	1 1/2"	2"	2 1/2"	3"	4"
10 mm		FlexiClic								
15 mm		FlexiClic	FlexiClic	FlexiClic						
20 mm		FlexiClic	FlexiClic	FlexiClic	FlexiClic	FlexiClic				
25 mm		FlexiClic	FlexiClic	FlexiClic	FlexiClic	FlexiClic	FlexiClic			
30 mm		FlexiClic	FlexiClic	FlexiClic	FlexiClic	FlexiClic	FlexiClic	FlexiClic		
40 mm		FlexiClic	FlexiClic	FlexiClic	FlexiClic	FlexiClic	FlexiClic	FlexiClic	FlexiClic	
50 mm		FlexiClic	FlexiClic	FlexiClic	FlexiClic	FlexiClic	FlexiClic	FlexiClic	FlexiClic	FlexiClic

Modular System for Frost Protection of Pipes

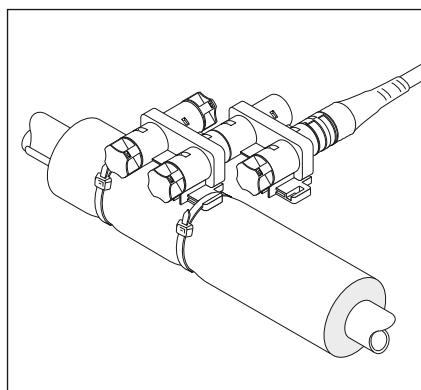
3. Attaching the cable to the pipe



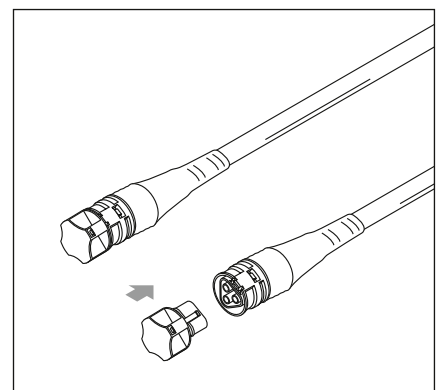
4. Installing the connector (For Tees and junctions)



The heating modules simply click into the connector as required to complete the Tee or 3-way connection. Allow 150-250 mm of heating module to enable the connector to be fixed above the insulation once installed.



In the event that more connections are required (for more pipe run-off from a single point) 2 modular connector units may be fixed together to allow 1 input and up to 5 outputs.



At the end of the pipe run, simply install an end seal to the end of the heating module.

5. Packaging and ordering

Heating Modules/Part number	Product name	Description
1244-005734	FlexiClic-FP-1M	1 m heating module
1244-005735	FlexiClic-FP-3M	3 m heating module
1244-005736	FlexiClic-FP-5M	5 m heating module
1244-005737	FlexiClic-FP-7M	7 m heating module
1244-005738	FlexiClic-FP-15M	15 m heating module
1244-005739	FlexiClic-FP-25M	25 m heating module
1244-005740	FlexiClic-FP-50M	50 m heating module

Accessories

1244-005741	FlexiClic-CE	Connection and end seal kit (Connector block + 2 end seals)
1244-005742	FlexiClic-E	End seal pack
1244-005743	FlexiClic-PCABLE-1M	1 m modular power cable (inc. end seal)
1244-006200	FlexiClic-PCABLE-3M	3 m modular power cable (inc. end seal)

Controllers

728129-000	AT-TS-13	Ambient thermostat $-5^{\circ}\text{C}/+15^{\circ}\text{C}$, 16 Amp
145232-000	Raystat-Eco-10	Smart (Energy efficiency) digital thermostat for pipe frost protection

6. Electrical Protection

Heat tracing installations should be made:

- According to all local standards and regulations.
- Incorporating a residual current device (RCD); 30 mA required with a maximum of 500 m of heater per RCD.
- The power connections must be made by an approved electrical installer.
- Incorporating C Type circuit breakers.

Amp rating	Max. length of heating circuit.
4 A	45 m
6 A	70 m
10 A	100 m

7. Testing the installation

For information concerning the test procedure for heat-tracing installations, please refer to the "FlexiClic – FP" installation instruction, reference number: INST-282.

8. Specification Guidance

A product specification guideline is available upon request from Tyco Thermal Controls. It is also available at: www.tycothermal.com

Raychem and FlexiClic are trademarks of Tyco Thermal Controls, LLC or its affiliates.

All of the above information, including illustrations, is believed to be reliable. Users however, should independently evaluate the suitability of each product for their application. Tyco Thermal Controls makes no warranties as to the accuracy or completeness of the information and disclaims any liability regarding its use. Tyco Thermal Controls only obligations are those in the Standard Terms and Conditions of Sale for this product and in no case will Tyco Thermal Controls be liable for any incidental, indirect or consequential damages arising from the sale, resale, use or misuse of the product. Tyco Thermal Controls Specifications are subject to change without notice. In addition Tyco Thermal Controls reserves the right to make changes in materials or processing, without notification to the Buyer, which do not affect compliance with any applicable specification.



For more information, contact your local representative.

www.tycothermal.com

European Headquarters

Tyco Thermal Controls n.v.
Romeinsestraat 14
B-3001 Leuven
Telephone +32 (0)16 21 35 11
Telefax +32 (0)16 21 36 07

United Kingdom

Tyco Thermal Controls (UK) Ltd
3 Rutherford Road,
Stephenson Industrial Estate
Washington, Tyne & Wear
NE37 3HX
Tel. 0800 969013
Fax: 0800 968624
SalesUK@tycothermal.com

Ireland

free phone 1800 654 241
free fax 1800 654 240
salesIE@tycothermal.com